

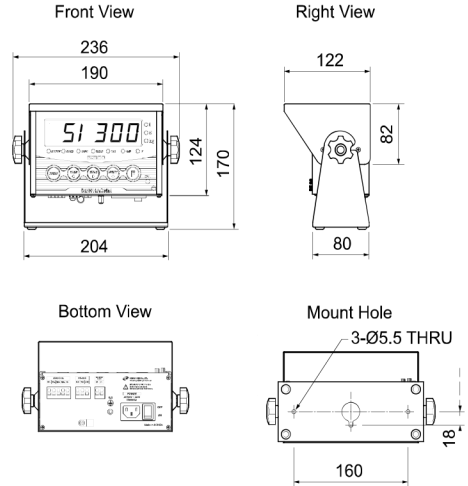
## SI 300A

## Feature

- Wall Mounting Type
- Hold Function : Sample, Average, Peak

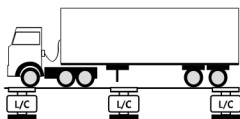


## Physical Dimension [Unit:mm]

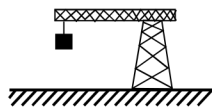


INDICATOR

		SI 300A
ANALOG PART	Input Sensitivity	Min. 0.1 $\mu$ V / Digit
	Load Cell Excitation	DC 5V
	Non-Linearity	0.001% of Full Scale
	Input Signal	Max 3.0 mV/V
	A/D Method & Sampling	Max120time/sec, Sigma-Delta
	Resolution	Internal: 1/2,000,000 ( $\pm$ 1,000,000) Display: 1/20,000
DISPLAY PART	Main Display	7 Segment, 6 Digit, H= 25,4 mm, RED Color FND
	Under Zero	Minus (-) Display
	"■" Status Lamp	STEADY, ZERO, TARE, HOLD, TxD, RxD, PRT, BAT Green Color
	"▼" Status Lamp	8 pcs, Green Color
	"◀" Status Lamp	4 pcs, Green Color
FONT Red LED Status Lamp	g, kg, t, pcs, oz, lb	
GENERAL PART	Power Supply	Free Voltage(AC 100V~240V, 50/60Hz)
	Operating Condition	Temperature: $-10^{\circ}\text{C} \sim +40^{\circ}\text{C}$ , Humidity: Under 85% RH
	Size / Weight	(W)190 x (H)124 x (D)122mm / Weight: 2kg
	Interface	RS232C & Current Loop



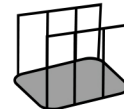
Truck Scale



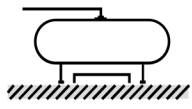
Crane Scale



Tester



Animal Scale



Tank Scale